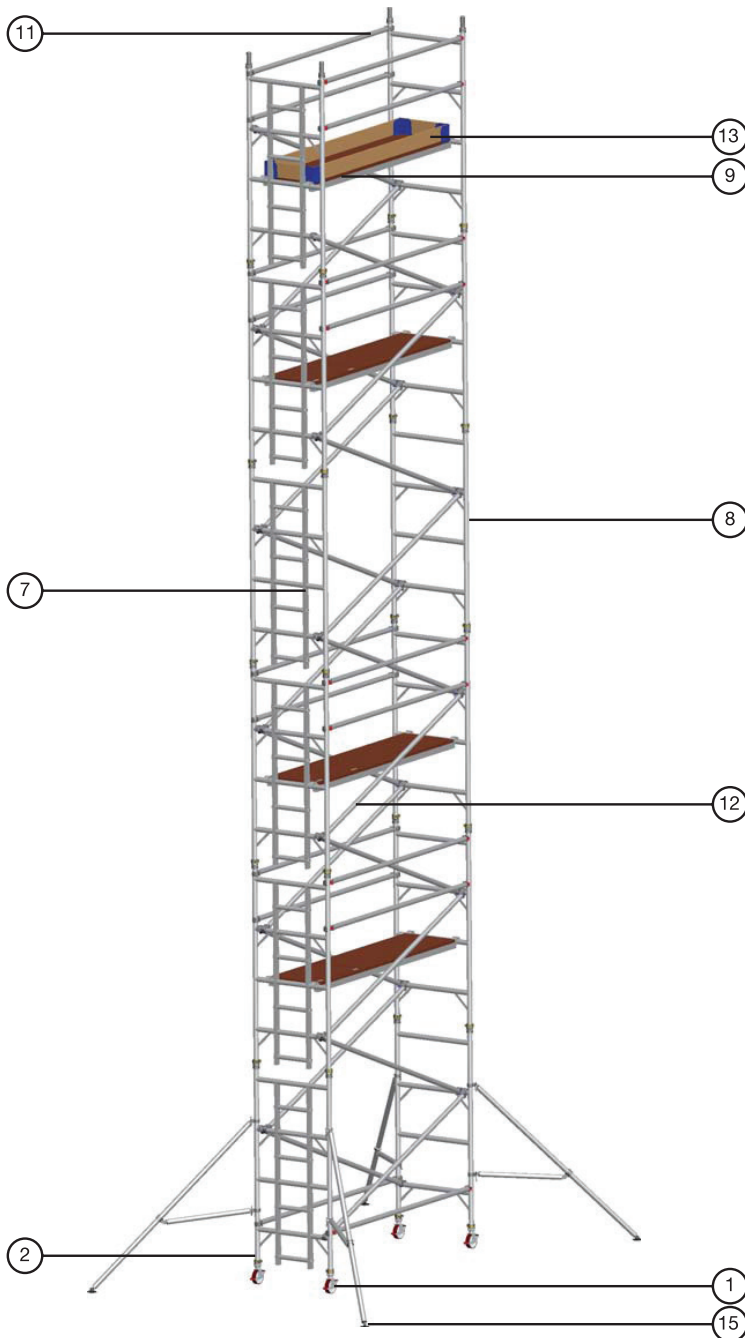


**Single Width Tower**  
1.8m Long x 0.85m wide

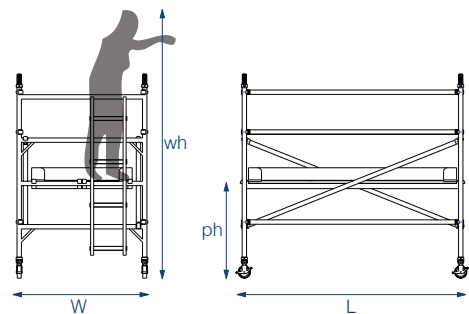
**Working Height**  
13.2m

**Platform Height**  
11.2m



## Tower Components

Item	Description	Quantity
1	150mm Locking Castor	4
2	Adjustable Leg 500mm	4
3	2 rung Ladder Frame	0
4	2 rung Span Frame	0
5	3 rung Ladder Frame	0
6	3 rung Span Frame	0
7	4 rung Ladder Frame	6
8	4 rung Span Frame	6
9	1.8m Trapdoor Platform	4
10	Standard Platform	0
11	1.8m Horizontal Brace	18
12	2.1m Diagonal Brace	21
13	Complete Toe Board Set	1
14	Standard Stabilisers	0
15	Jumbo Stabilisers	4
16	Instruction Manual & BSEN1004 certificate of conformity	1



## Technical Information

Base Dimensions:	(L)1.8m X (W)0.85m
Maximum Platform Height (ph):	11.2m
Maximum Working Height (wh):	13.2m
Maximum Working Load Per Platform:	275kg
Maximum Working Load Per Tower: (including tower weight)	950kg
Weight:	332kg