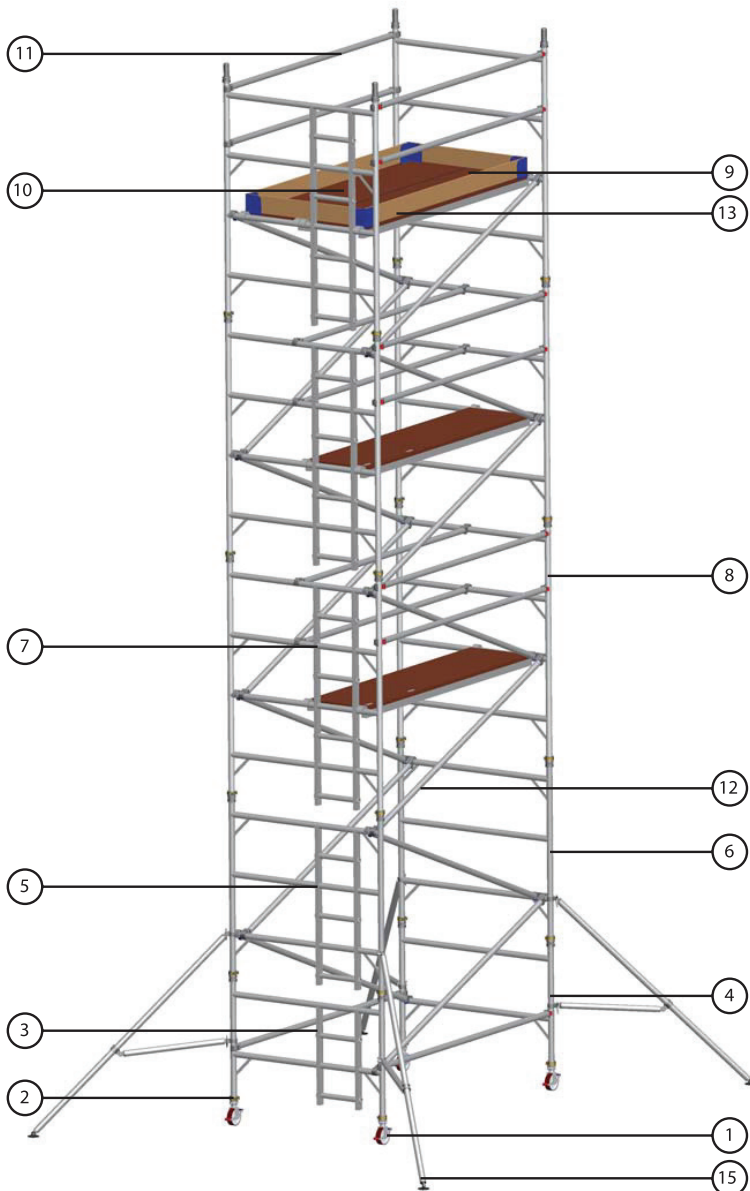


**Double Width Tower**  
2.5m Long x 1.45m wide

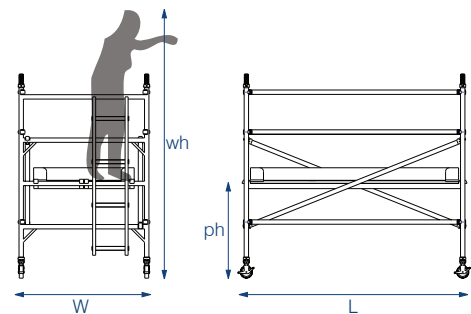
**Working Height**  
9.7m

**Platform Height**  
7.7m

### Tower Components



Item	Description	Quantity
1	150mm Locking Castor	4
2	Adjustable Leg 500mm	4
3	2 rung Ladder Frame	1
4	2 rung Span Frame	1
5	3 rung Ladder Frame	1
6	3 rung Span Frame	1
7	4 rung Ladder Frame	3
8	4 rung Span Frame	3
9	2.5m Trapdoor Platforms	3
10	2.5m Fixed Platforms	1
11	2.5m Horizontal Brace	14
12	2.7m Diagonal Brace	14
13	Complete Toe Board Set	1
14	Standard Stabilisers	0
15	Jumbo Stabilisers	4
16	Instruction Manual & BSEN1004 certificate of conformity	1



### Technical Information

Base Dimensions:	(L)2.5m X (W)1.45m
Maximum Platform Height (ph):	7.7m
Maximum Working Height (wh):	9.7m
Maximum Working Load Per Platform:	275kg
Maximum Working Load Per Tower: (including tower weight)	950kg
Weight:	290kg