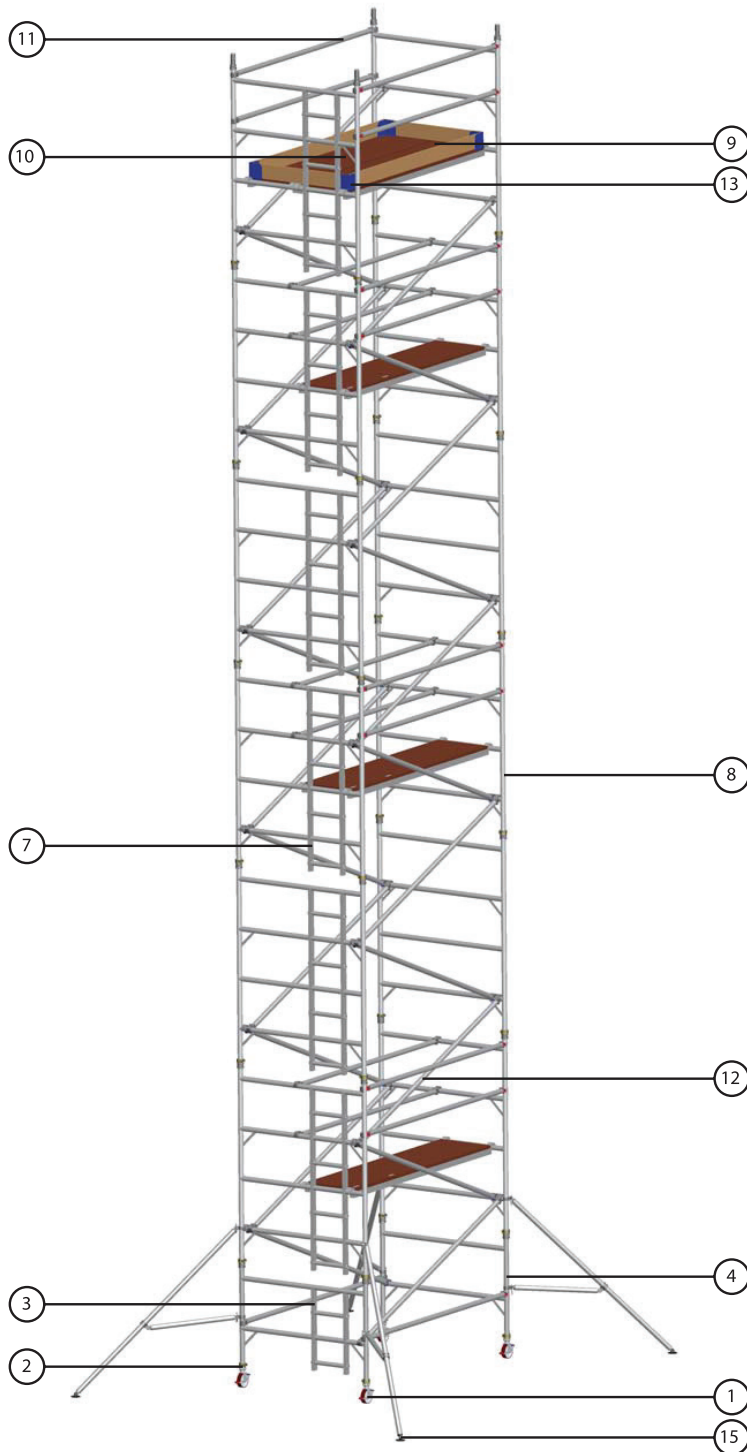


Double Width Tower
2.5m Long x 1.45m wide

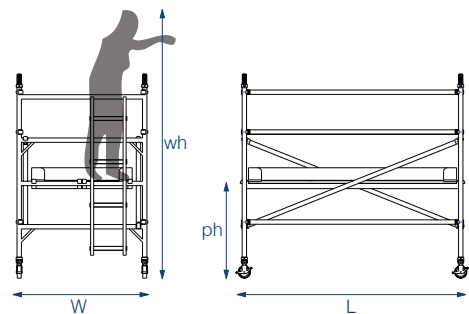
Working Height
14.2m

Platform Height
12.2m



Tower Components

Item	Description	Quantity
1	150mm Locking Castor	4
2	Adjustable Leg 500mm	4
3	2 rung Ladder Frame	1
4	2 rung Span Frame	1
5	3 rung Ladder Frame	0
6	3 rung Span Frame	0
7	4 rung Ladder Frame	6
8	4 rung Span Frame	6
9	2.5m Trapdoor Platforms	4
10	2.5m Fixed Platforms	1
11	2.5m Horizontal Brace	18
12	2.7m Diagonal Brace	23
13	Complete Toe Board Set	1
14	Standard Stabilisers	0
15	Jumbo Stabilisers	4
16	Instruction Manual & BSEN1004 certificate of conformity	1



Technical Information

Base Dimensions:	(L)2.5m X (W)1.45m
Maximum Platform Height (ph):	12.2m
Maximum Working Height (wh):	14.2m
Maximum Working Load Per Platform:	275kg
Maximum Working Load Per Tower: (including tower weight)	950kg
Weight:	412kg