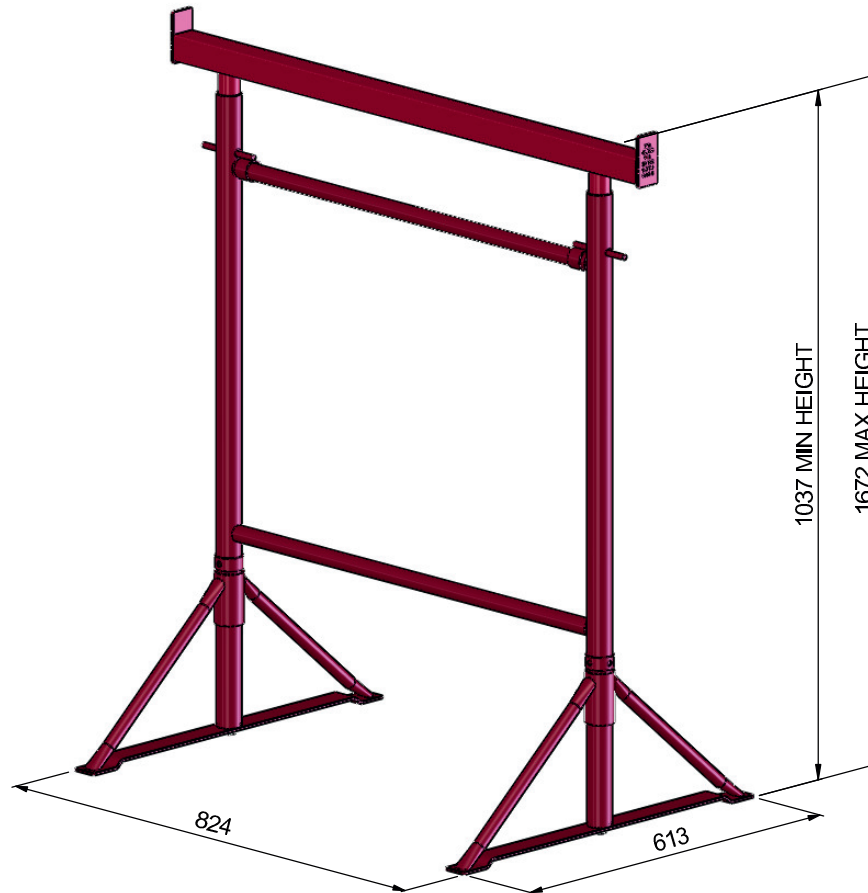


ALL DIMENSIONS IN MILLIMETRES
REMOVE ALL SHARP EDGES

THIRD ANGLE PROJECTION
DO NOT SCALE DRAWING



FINISH NOTE:
POLYESTER POWDER COAT.
COLOUR: RAL 3003 (RED)

0	29/4/8	ISSUED FOR MANUFACTURE	GC	.	.
P1	10/12/7	ISSUED FOR APPROVAL	GC	.	.
REV	DATE	DESCRIPTION	DRN	CHKD	APPR

TITLE: **No.3 BUILDERS TRESTLE
(PAINTED) ROUND**

UNLESS STATED OTHERWISE		
GENERAL TOLERANCES:		
FABRICATION	UP TO 1000mm	+/- 2mm
	1001mm & ABOVE	+/- 3mm
ANGULAR	+/- 0.5 DEGREE	
WEIGHT	+/- 10% (DUE TO MATERIAL PROPERTIES & TOLERANCES)	

NAME	SIGNATURE	DATE
G. CRICK		10/12/7
CHKD		

MATERIAL:
CARBON STEEL

FINISH:
SEE NOTE



Dwg/Stock No. **27361231** Revision **0**

THE COMPANY RETAIN THE RIGHT TO PERIODICALLY ALTER INFORMATION WITHIN THIS DRAWING SHEET AND WILL ATTEMPT TO NOTIFY ALL PARTIES CONCERNED OF ANY CHANGES AND THE INFORMATION ON THIS SHEET SHOULD NOT BE REPRODUCED WITHOUT THEIR WRITTEN CONSENT.

WEIGHT: 10.2 Kg SCALE: 1:8 SHEET 1 OF 18